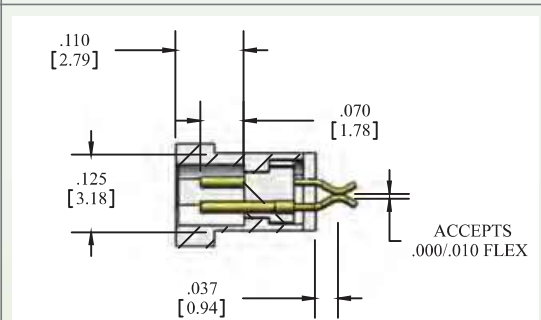
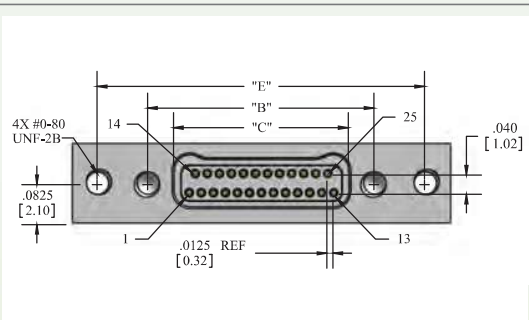
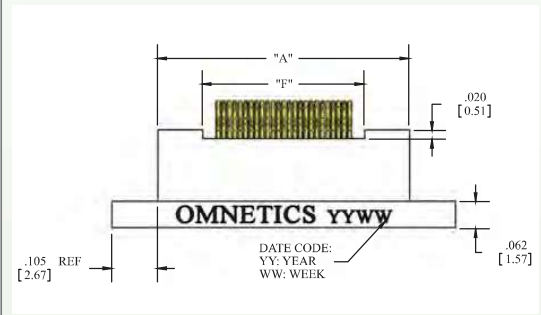
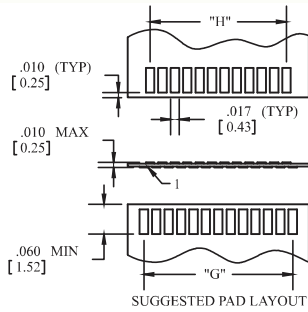


■ Dual Row Panel Mount (Type FF)



■ English (IN)

■ Metric (mm)

CONTACTS	"A"	"B"	"C"	"D"	"E"	"F"	"G"	"H"	"A"	"B"	"C"	"D"	"E"	"F"	"G"	"H"
9	0.375	0.270	0.163	0.585	0.480	0.170	0.100	0.075	9.53	6.86	4.14	14.86	12.19	4.32	2.54	1.91
15	0.450	0.345	0.238	0.660	0.555	0.245	0.175	0.150	11.43	8.76	6.05	16.76	14.10	6.22	4.45	3.81
21	0.525	0.420	0.313	0.735	0.630	0.320	0.250	0.225	13.34	10.67	7.95	18.67	16.00	8.13	6.35	5.72
25	0.575	0.470	0.363	0.785	0.680	0.370	0.300	0.275	14.61	11.94	9.22	19.94	17.27	9.40	7.62	6.99
31	0.650	0.545	0.438	0.860	0.755	0.445	0.375	0.350	16.51	13.84	11.13	21.84	19.18	11.30	9.53	8.89
37	0.725	0.620	0.513	0.935	0.830	0.520	0.450	0.425	18.42	15.75	13.03	23.75	21.08	13.21	11.43	10.80
51	0.900	0.795	0.688	1.110	1.005	0.695	0.625	0.600	22.86	20.19	17.48	28.19	25.53	17.65	15.88	15.24
65	1.075	0.970	0.863	1.285	1.180	0.870	0.800	0.775	27.31	24.64	21.92	32.64	29.97	22.10	20.32	19.69