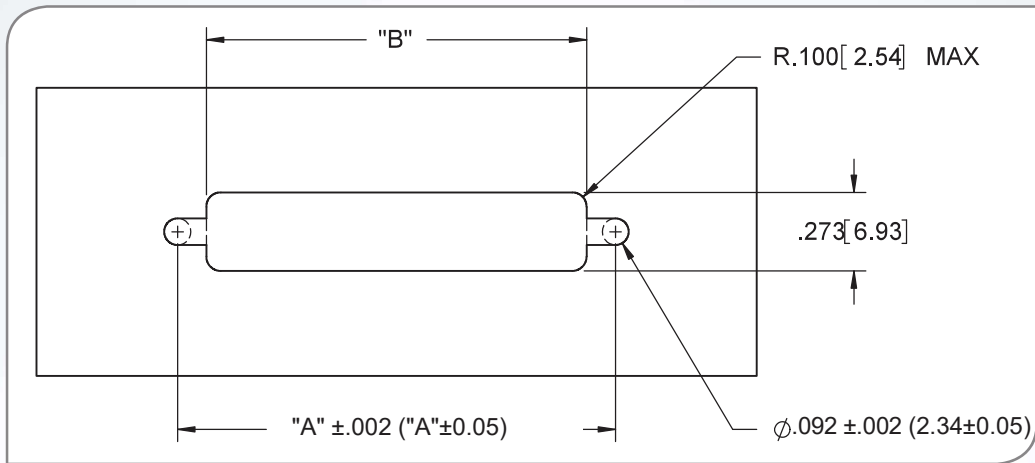


# Micro-D

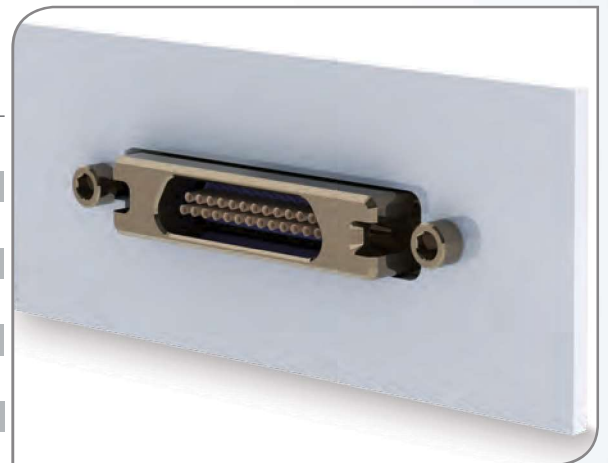
## Accessories & Misc

### ▀ Latching Panel Mount Cut Out

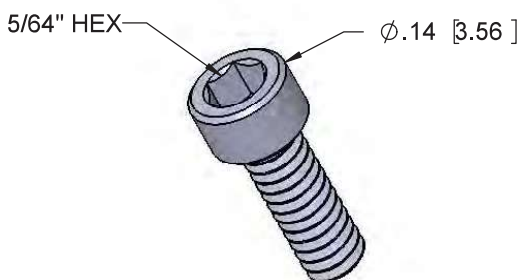


### ▀ Contacts      ▀ English (IN)      ▀ Metric (mm)

"n"	Rows	"A"	"B"	"A"	"B"
9	2	1.120	.920	28.45	23.37
15	2	1.270	1.070	32.26	27.18
21	2	1.420	1.220	36.07	30.99
25	2	1.520	1.320	38.61	33.53
31	2	1.670	1.470	42.42	37.34
37	2	1.820	1.620	46.23	41.15
51	2	2.170	1.970	55.12	50.04



REAR MOUNTED (Latching Micro-D Shown)



### ▀ Panel Thickness

English (IN)	Metric (mm)	Omnetics Part #
.010 - .045	0.25 - 1.14	D6292-156
.045 - .094	1.14 - 2.39	D6292-187

SCREWS SOLD INDIVIDUALLY, ORDER TWO PER CONNECTOR.

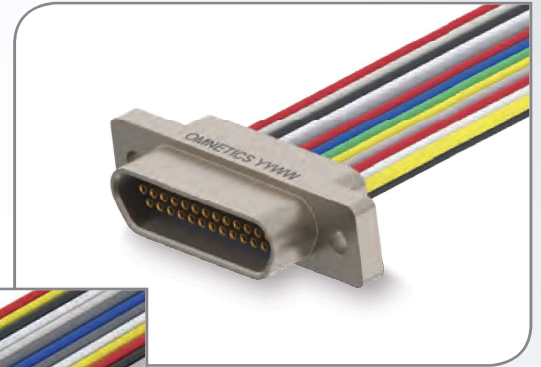
# Micro-D

## Accessories & Misc

### ► 'No Tools Required' Adapter

#### Latching Micro-D Conversion Kit

Any Standard Micro-D connector with access to the back of the connector flange can be converted to a Latching Micro-D. With Omnetics' rugged latching systems, the need for tools is eliminated without compromising the performance expected from a Micro-D connector.



#### ► Contacts

#### ► Omnetics Part No.

"n"	Rows	Omnetics Part No.
9	2	A99018-009
15	2	A99018-015
21	2	A99018-021
25	2	A99018-025
31	2	A99018-031
37	2	A99018-037
51	2	A99018-051

\*Patent Pending

Visit Omnetics' website for further technical or contact information at [www.omnetics.com](http://www.omnetics.com)