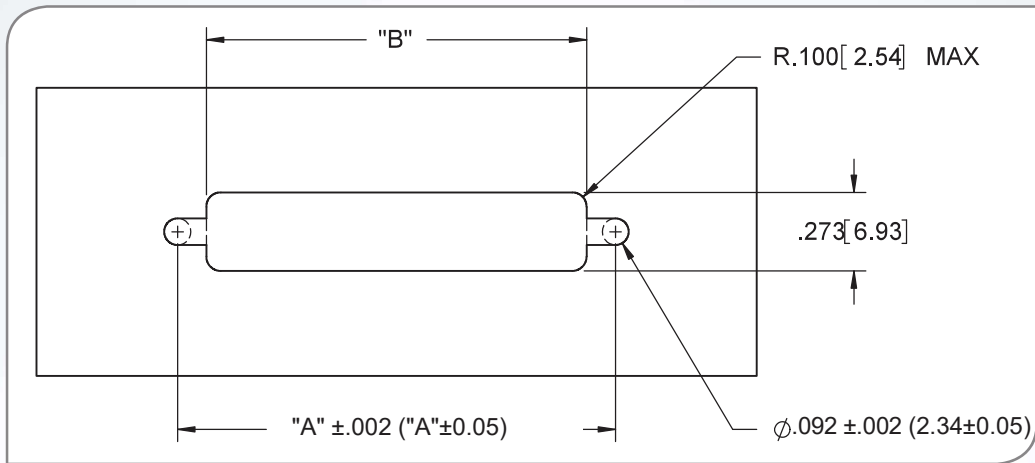


# Micro-D

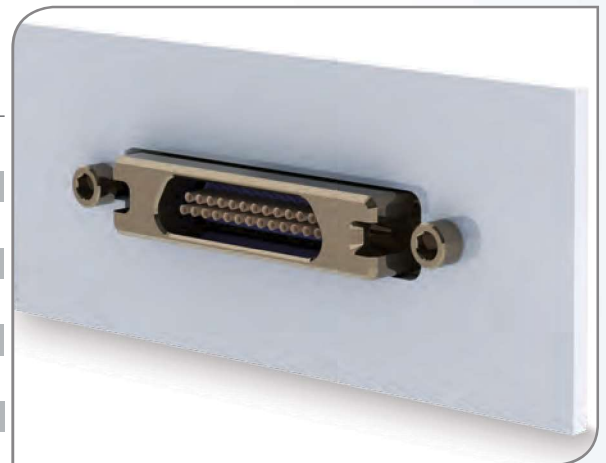
## Accessories & Misc

### ▀ Latching Panel Mount Cut Out

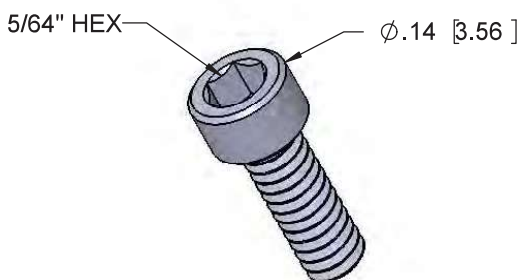


### ▀ Contacts      ▀ English (IN)      ▀ Metric (mm)

| "n" | Rows | "A"   | "B"   | "A"   | "B"   |
|-----|------|-------|-------|-------|-------|
| 9   | 2    | 1.120 | .920  | 28.45 | 23.37 |
| 15  | 2    | 1.270 | 1.070 | 32.26 | 27.18 |
| 21  | 2    | 1.420 | 1.220 | 36.07 | 30.99 |
| 25  | 2    | 1.520 | 1.320 | 38.61 | 33.53 |
| 31  | 2    | 1.670 | 1.470 | 42.42 | 37.34 |
| 37  | 2    | 1.820 | 1.620 | 46.23 | 41.15 |
| 51  | 2    | 2.170 | 1.970 | 55.12 | 50.04 |



REAR MOUNTED (Latching Micro-D Shown)



### ▀ Panel Thickness

| English (IN) | Metric (mm) | Omnetics Part # |
|--------------|-------------|-----------------|
| .010 - .045  | 0.25 - 1.14 | D6292-156       |
| .045 - .094  | 1.14 - 2.39 | D6292-187       |

SCREWS SOLD INDIVIDUALLY, ORDER TWO PER CONNECTOR.

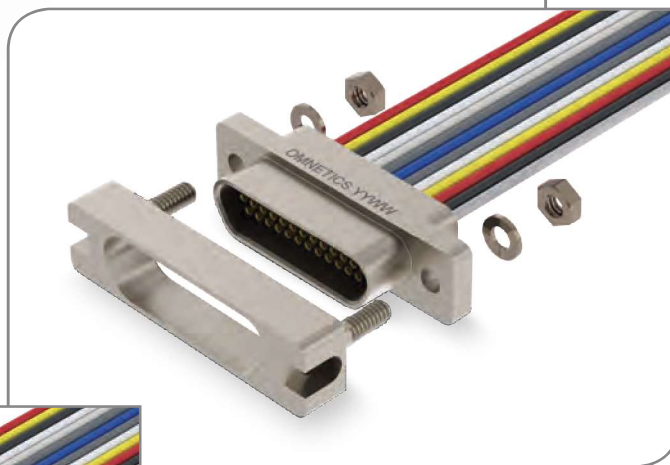
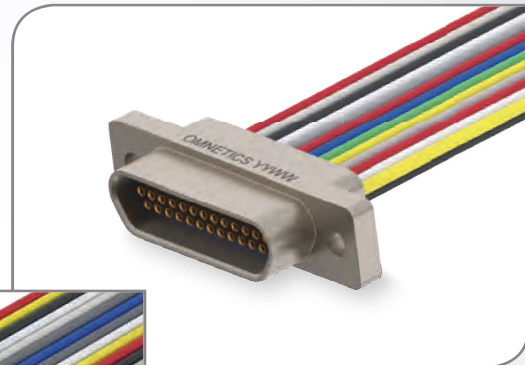
# Micro-D

## Accessories & Misc

### ► 'No Tools Required' Adapter

#### Latching Micro-D Conversion Kit

Any Standard Micro-D connector with access to the back of the connector flange can be converted to a Latching Micro-D. With Omnetics' rugged latching systems, the need for tools is eliminated without compromising the performance expected from a Micro-D connector.



#### ► Contacts

#### ► Omnetics Part No.

| "n" | Rows | Omnetics Part No. |
|-----|------|-------------------|
| 9   | 2    | A99018-009        |
| 15  | 2    | A99018-015        |
| 21  | 2    | A99018-021        |
| 25  | 2    | A99018-025        |
| 31  | 2    | A99018-031        |
| 37  | 2    | A99018-037        |
| 51  | 2    | A99018-051        |

\*Patent Pending

Visit Omnetics' website for further technical or contact information at [www.omnetics.com](http://www.omnetics.com)