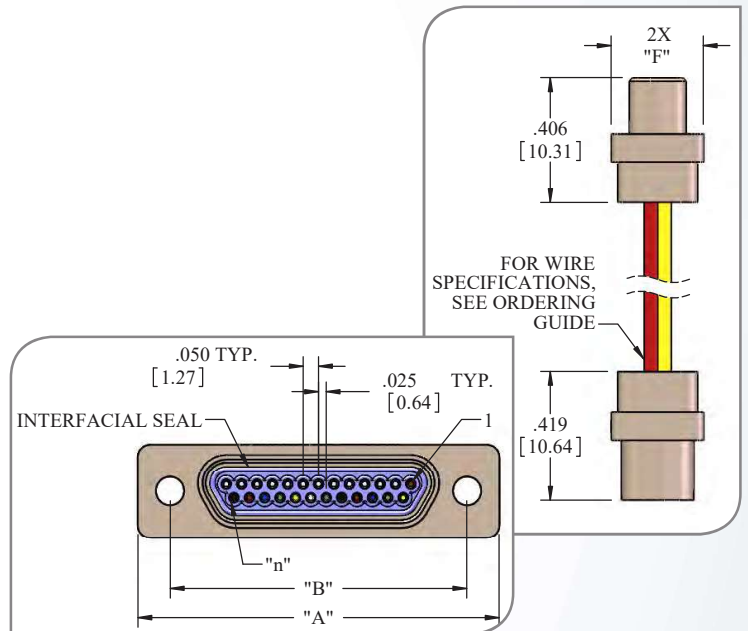
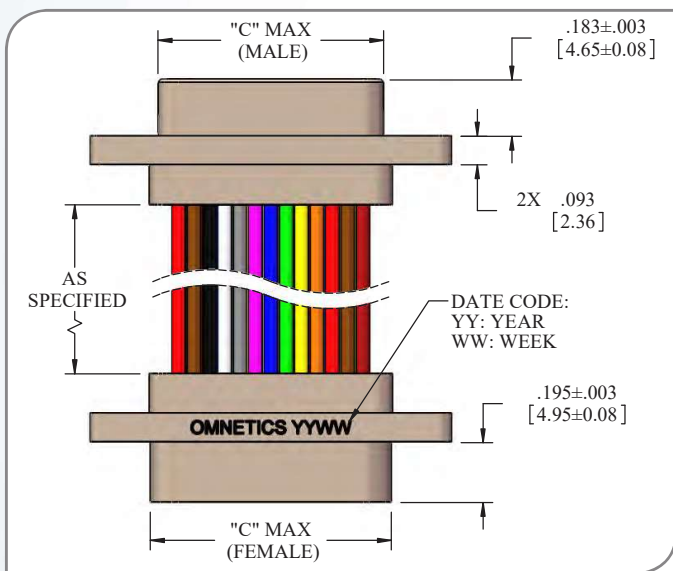
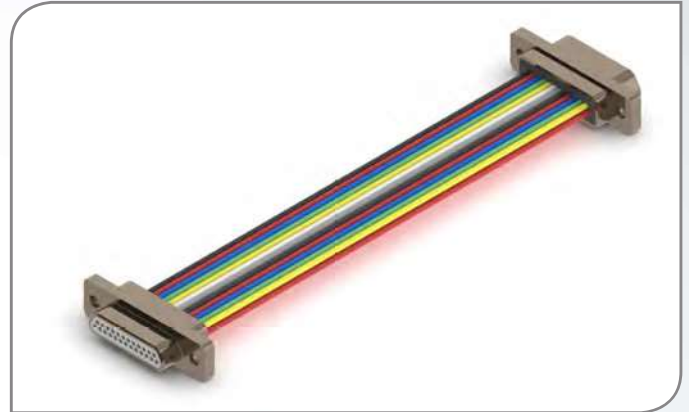
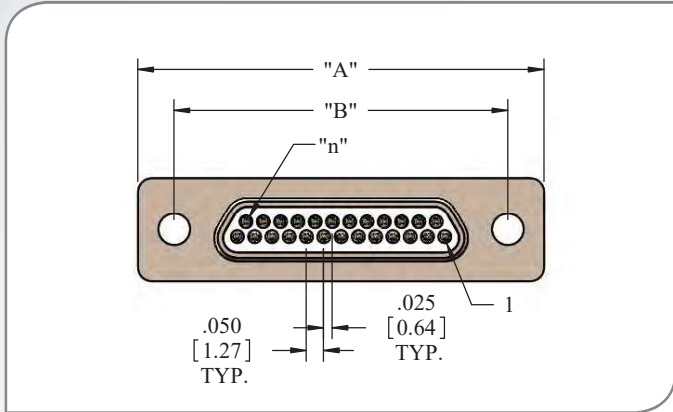


Micro-D

Standard Micro-D

► Metal Shell Micro-D Female to Male Jumpers (TYPE W)



► Contacts

► English (IN)

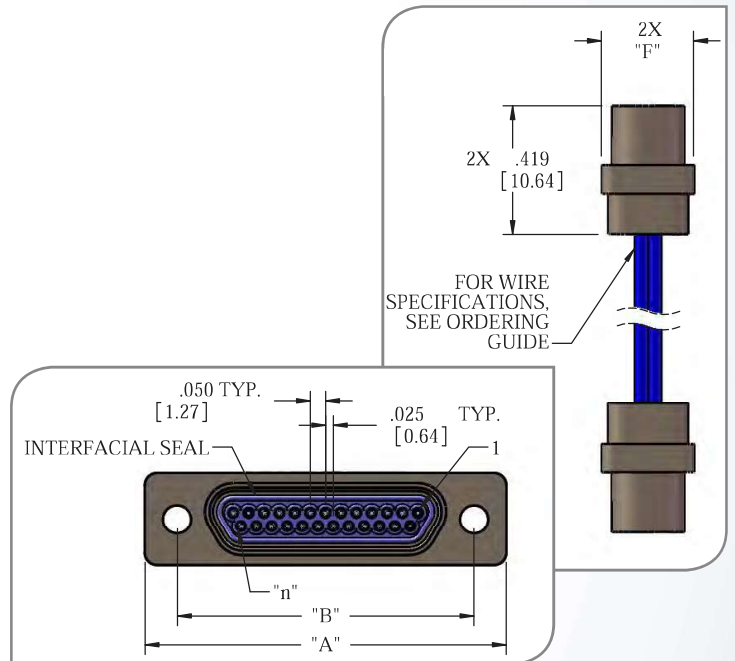
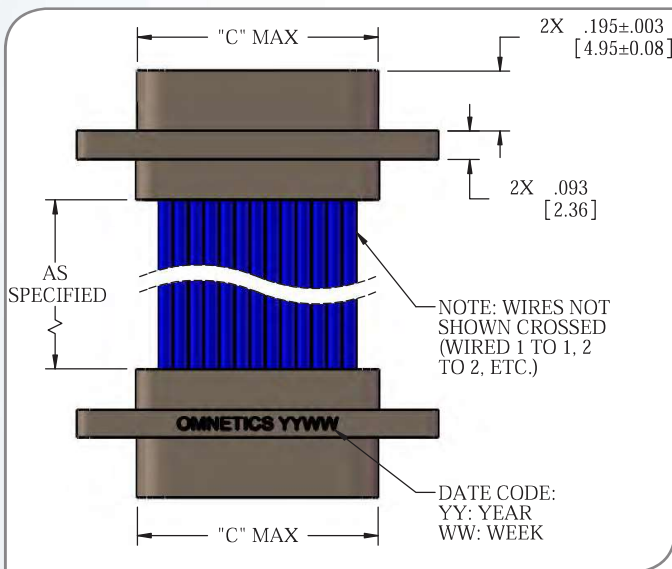
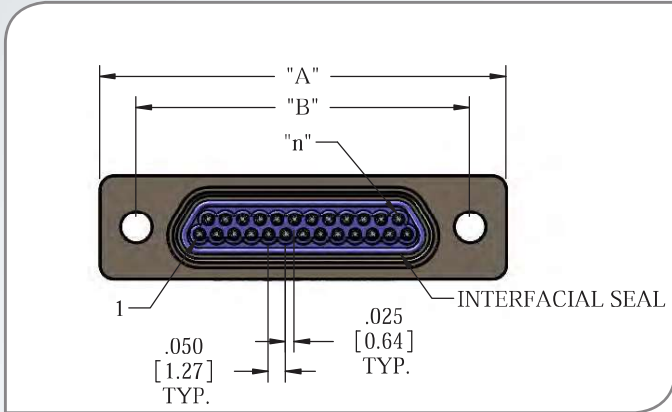
► Metric (mm)

"n"	Rows	"A"	"B"	"C" Male	"C" Female	"F"	"A"	"B"	"C" Male	"C" Female	"F"
9	2	.775	.565	.334	.400	.260	19.69	14.35	8.48	10.17	6.60
15	2	.925	.715	.484	.550	.260	23.50	18.16	12.29	13.98	6.60
21	2	1.075	.865	.634	.700	.260	27.31	21.97	16.10	17.79	6.60
25	2	1.175	.965	.734	.800	.260	29.85	24.51	18.64	20.33	6.60
31	2	1.325	1.115	.884	.950	.260	33.66	28.32	22.45	24.14	6.60
37	2	1.475	1.265	1.034	1.100	.260	37.47	32.13	26.26	27.95	6.60
51	2	1.825	1.615	1.384	1.450	.260	46.36	41.02	35.15	36.84	6.60
51	3	1.425	1.215	.984	1.050	.300	36.20	30.86	24.99	26.68	7.62

Micro-D

Standard Micro-D

■ Metal Shell Micro-D Female to Female Jumpers (TYPE X)



■ Contacts

■ English (IN)

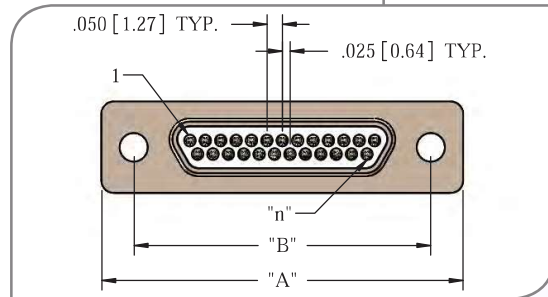
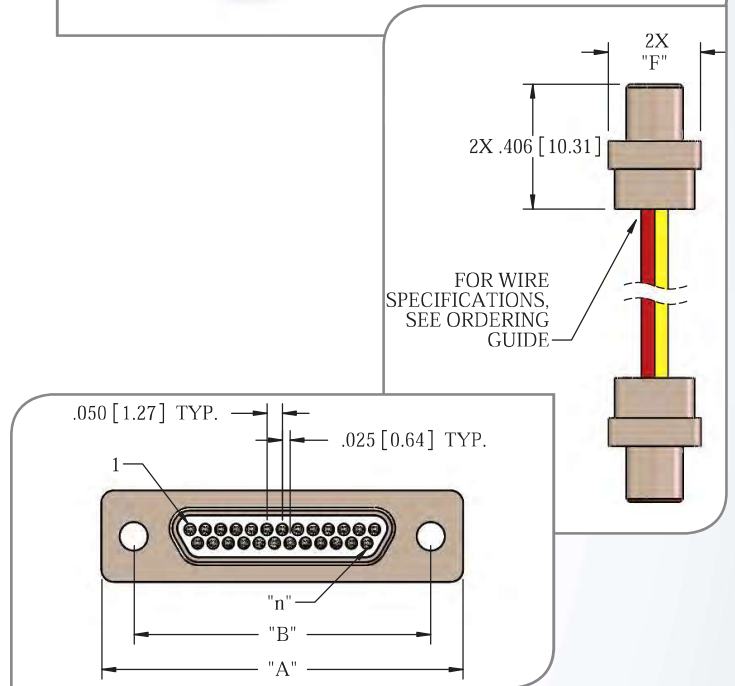
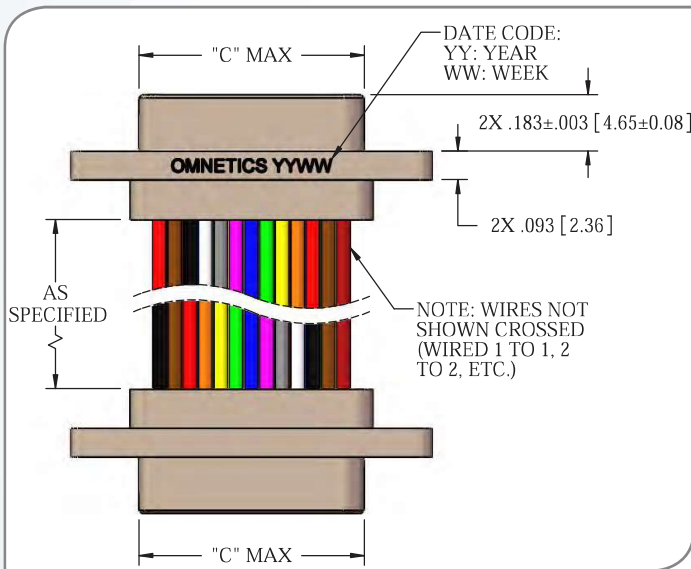
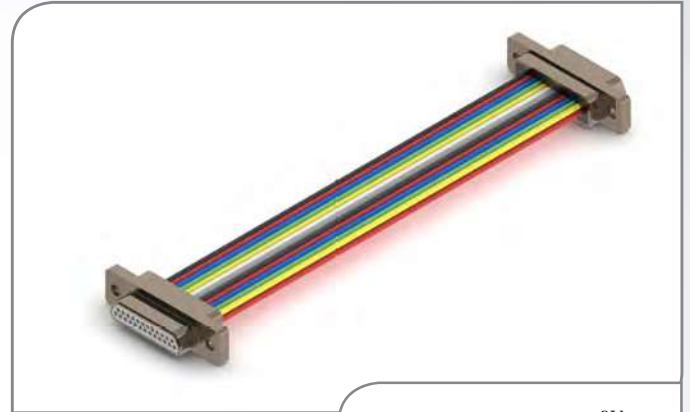
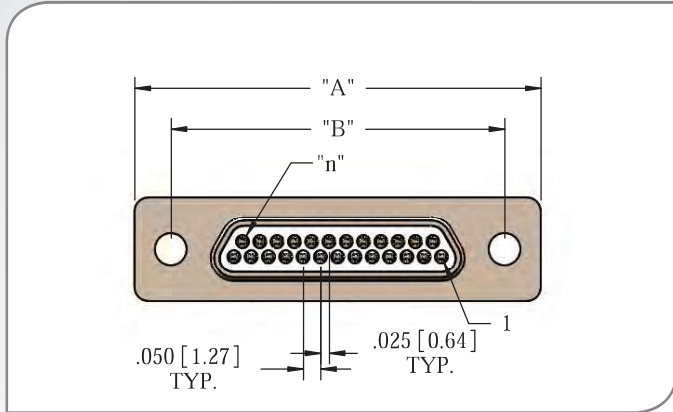
■ Metric (mm)

■	"n"	Rows	"A"	"B"	"C"	"F"	"A"	"B"	"C"	"F"
■	9	2	.775	.565	.400	.260	19.69	14.35	10.17	6.60
■	15	2	.925	.715	.550	.260	23.50	18.16	13.98	6.60
■	21	2	1.075	.865	.700	.260	27.31	21.97	17.79	6.60
■	25	2	1.175	.965	.800	.260	29.85	24.51	20.33	6.60
■	31	2	1.325	1.115	.950	.260	33.66	28.32	24.14	6.60
■	37	2	1.475	1.265	1.100	.260	37.47	32.13	27.95	6.60
■	51	2	1.825	1.615	1.450	.260	46.36	41.02	36.84	6.60
■	51	3	1.425	1.215	1.050	.300	36.20	30.86	26.68	7.62

Micro-D

Standard Micro-D

■ Metal Shell Micro-D Male to Male Jumpers (TYPE Y)



■ Contacts

■ English (IN)

■ Metric (mm)

"n"	Rows	"A"	"B"	"C"	"F"	"A"	"B"	"C"	"F"
9	2	.775	.565	.400	.260	19.69	14.35	10.17	6.60
15	2	.925	.715	.550	.260	23.50	18.16	13.98	6.60
21	2	1.075	.865	.700	.260	27.31	21.97	17.79	6.60
25	2	1.175	.965	.800	.260	29.85	24.51	20.33	6.60
31	2	1.325	1.115	.950	.260	33.66	28.32	24.14	6.60
37	2	1.475	1.265	1.100	.260	37.47	32.13	27.95	6.60
51	2	1.825	1.615	1.450	.260	46.36	41.02	36.84	6.60
51	3	1.425	1.215	1.050	.300	36.20	30.86	26.68	7.62