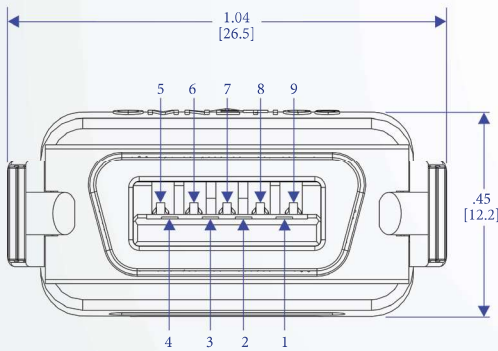
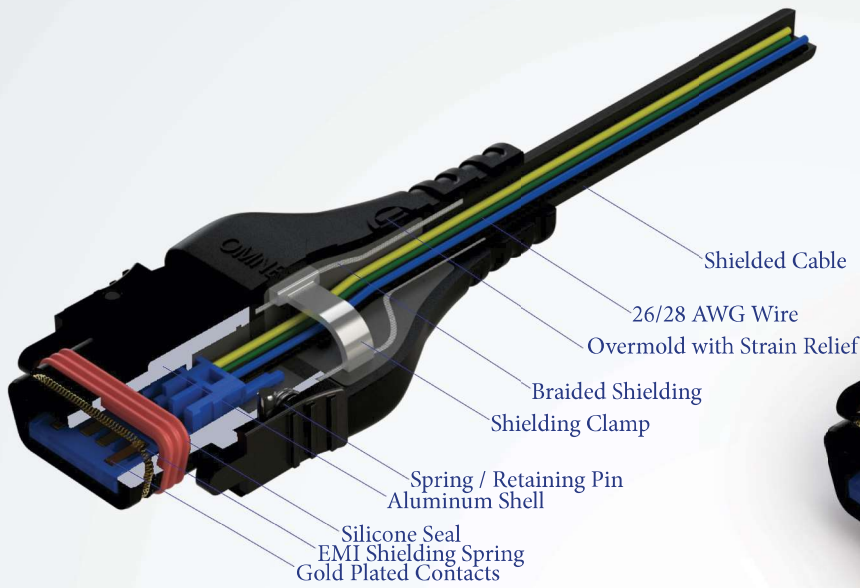





Quick Lock USB 3.0 Plug

A90000-801



9 Contact Plug

Socket #	Color	Notes	Specifications	AWG
1	Red	-	+5 V Power	26 AWG
2	White	Pair 	USB 2.0 Differential Pair	28AWG
3	Green			
4	Black	-	Ground for Power Return	26 AWG
5	Blue	Twisted Pair 	SuperSpeed Receiver Differential Pair	26 AWG
6	Yellow			
7	Bare	Drain Wires From 26 AWG Twisted Pairs	Ground for Signal Return	-
8	Violet	Twisted Pair 	SuperSpeed Transmitter Differential Pair	26 AWG
9	Orange			

Computer rendered images are for illustrative purposes only. Although every precaution has been taken, variances in color, hue and texture may vary slightly from image. Dimension are in inches [millimeters] and are subject to change without notice.