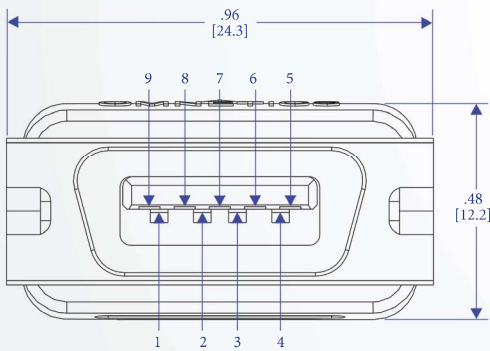
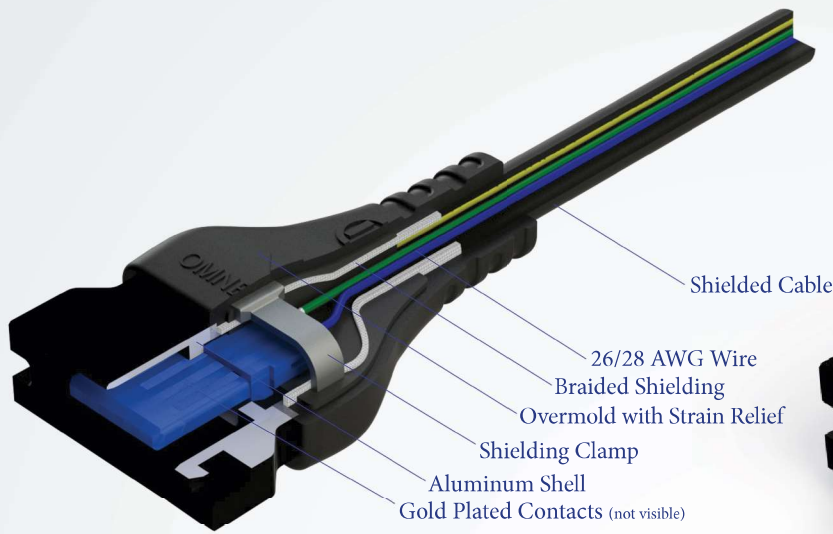





Quick Lock USB 3.0 Receptacle

A90001-801



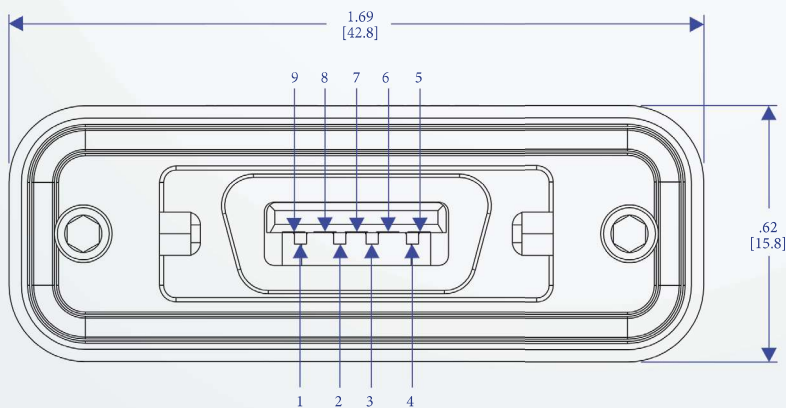
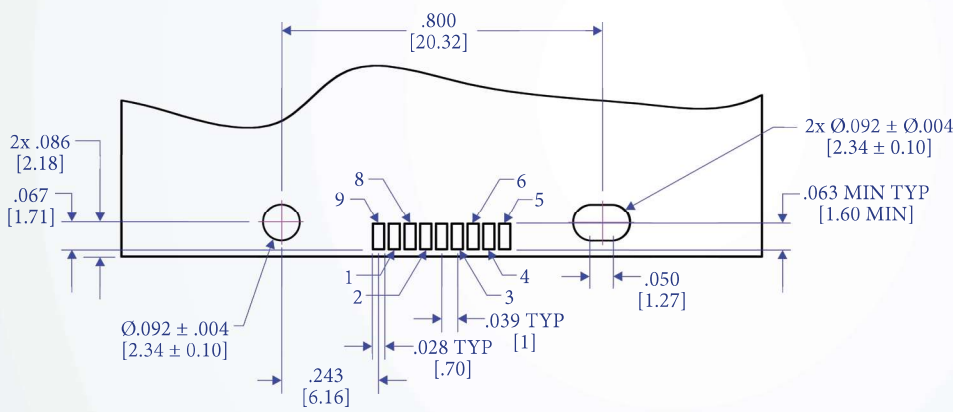
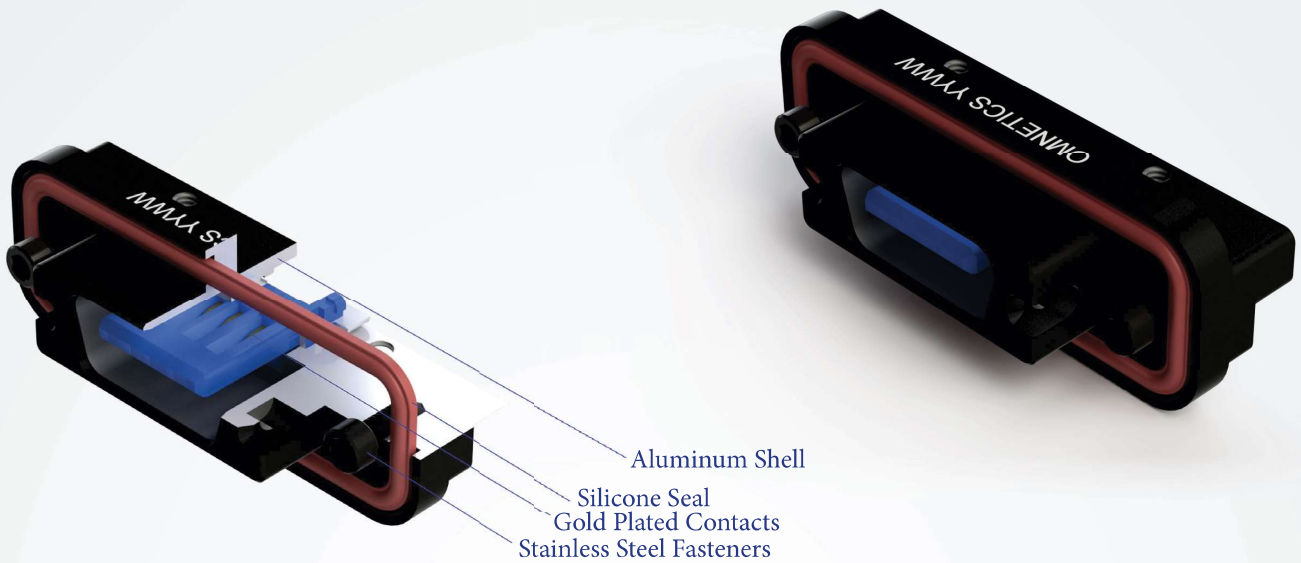
9 Contact Receptacle

| Socket # | Color | Notes | Specifications | AWG |
|----------|--------|---|--|--------|
| 1 | Red | - | +5 V Power | 26 AWG |
| 2 | White | Pair  | USB 2.0 Differential Pair | 28AWG |
| 3 | Green | | | |
| 4 | Black | - | Ground for Power Return | 26 AWG |
| 5 | Blue | Twisted Pair  | SuperSpeed Receiver Differential Pair | 26 AWG |
| 6 | Yellow | | | |
| 7 | Bare | Drain Wires From 26 AWG Twisted Pairs | Ground for Signal Return | - |
| 8 | Violet | Twisted Pair  | SuperSpeed Transmitter Differential Pair | 26 AWG |
| 9 | Orange | | | |

Computer rendered images are for illustrative purposes only. Although every precaution has been taken, variances in color, hue and texture may vary slightly from image. Dimension are in inches [millimeters] and are subject to change without notice.

Quick Lock USB 3.0 Receptacle Panel Mount

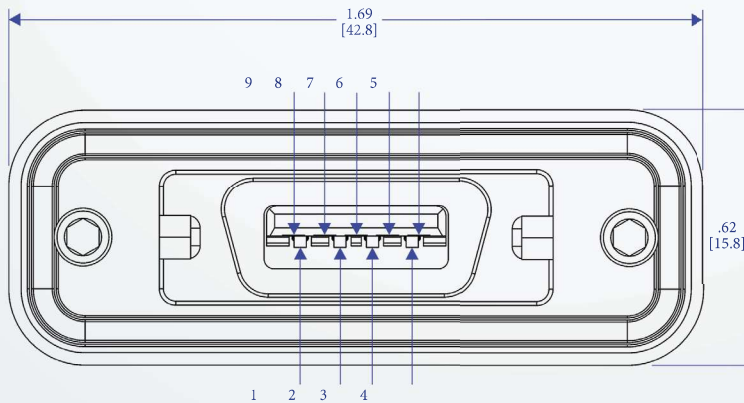
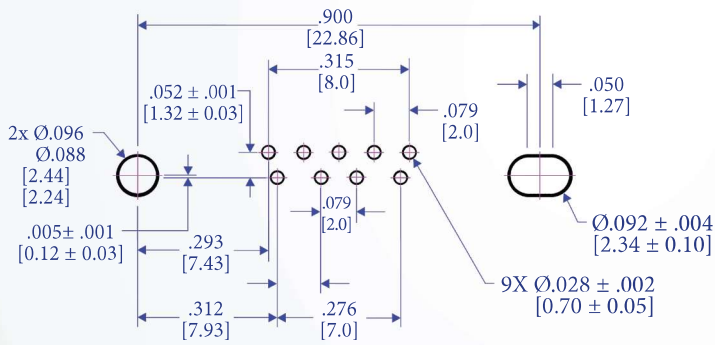
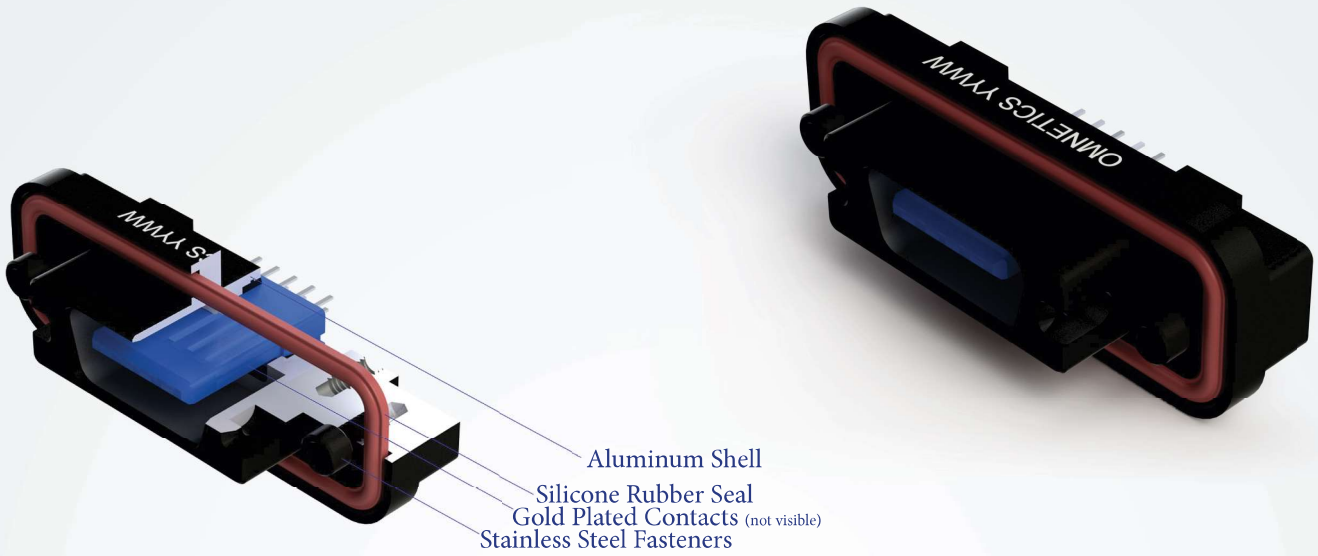
A90002-801



Computer rendered images are for illustrative purposes only. Although every precaution has been taken, variances in color, hue and texture may vary slightly from image. Dimension are in inches [millimeters] and are subject to changes without notice.

Quick Lock USB 3.0 Receptacle

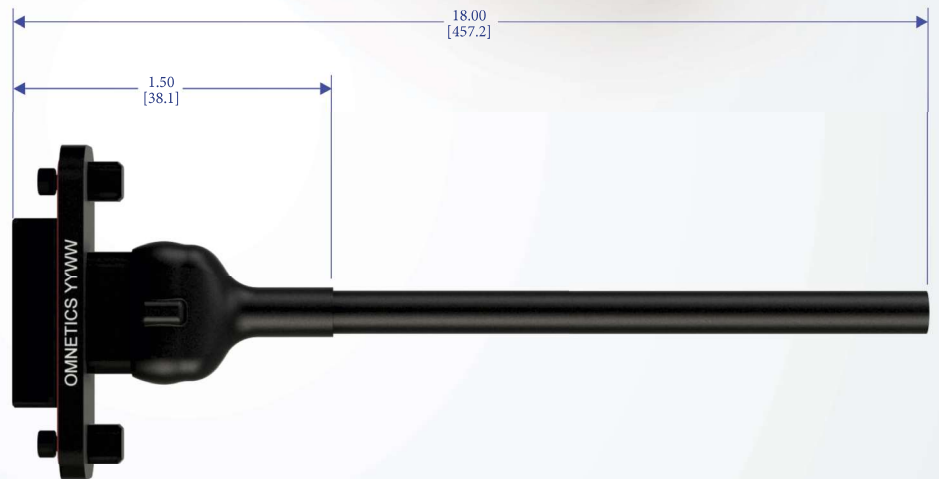
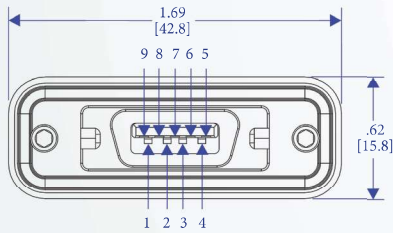
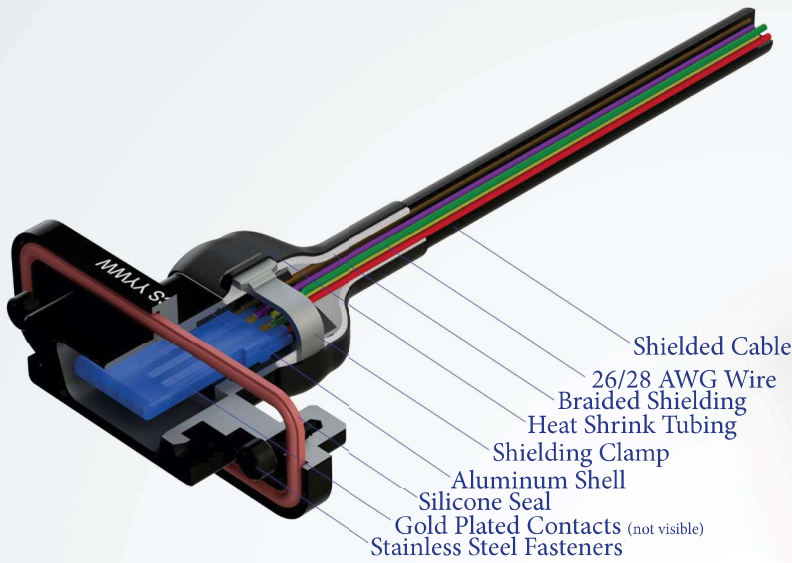
A90003-801



Computer rendered images are for illustrative purposes only. Although every precaution has been taken, variances in color, hue and texture may vary slightly from image. Dimension are in inches [millimeters] and are subject to changes without notice.

Quick Lock USB 3.0 Receptacle

A90004-801



9 Contact Receptacle

| Socket # | Color | Notes | Specifications | AWG |
|----------|--------|---------------------------------------|--|--------|
| 1 | Red | - | +5 V Power | 26 AWG |
| 2 | White | Pair | USB 2.0 Differential Pair | 28AWG |
| 3 | Green | | | |
| 4 | Black | - | Ground for Power Return | 26 AWG |
| 5 | Blue | Twisted Pair | SuperSpeed Receiver Differential Pair | 26 AWG |
| 6 | Yellow | | | |
| 7 | Bare | Drain Wires From 26 AWG Twisted Pairs | Ground for Signal Return | - |
| 8 | Violet | Twisted Pair | SuperSpeed Transmitter Differential Pair | 26 AWG |
| 9 | Orange | | | |

Computer rendered images are for illustrative purposes only. Although every precaution has been taken, variances in color, hue and texture may vary slightly from image. Dimension are in inches [millimeters] and are subject to change without notice.